



Speaker Radio DAB+BT Recharge

Quick guide

421-39



Speaker Radio
DAB+BT Recharge

Battery capacity: 2000 mAh

USB-C input: 5V/2A

Product weight: 332g

www.sandberg.world
info@sandberg.world

Sandberg A/S
Bregneroevej 133D,
3460 Birkerød, Denmark

Item no. 421-39



Made in China

NOTE: If not used regularly, please recharge the radio at least every 3 months to maintain optimal performance.



5

Years
Warranty

Warranty

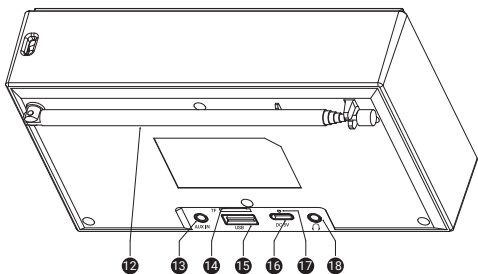
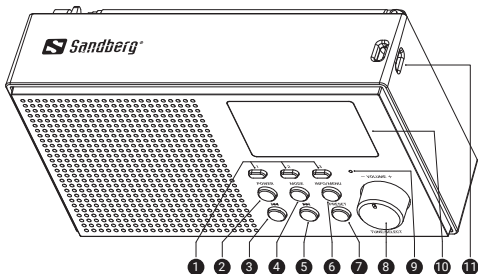
There is a five-year warranty on your Sandberg product. Please read the warranty terms and register your new Sandberg product at www.sandberg.world/warranty

www.sandberg.world Support: helpdesk.sandberg.world



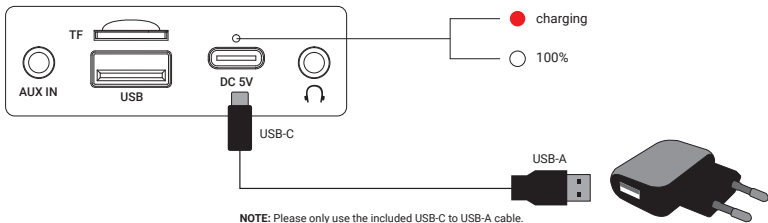
For information on handling electronic waste, see www.sandberg.world/weee

Overview

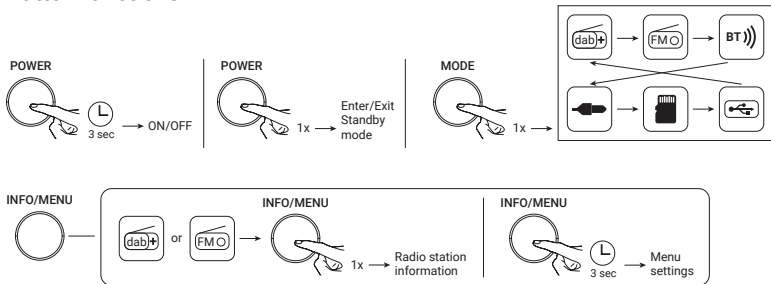


1. SET key (1-3)
2. POWER button
3. Previous button
4. MODE button
5. Next button
6. INFO/MENU button
7. PRESET button
8. TUNE/SELECT/CALL/VOL knob
9. Microphone
10. TFT display screen
11. Lanyard attachment point
12. Rod antenna
13. AUX IN interface
14. TF card socket
15. USB-A interface
16. USB-C charging interface
17. Charging indicator light
18. Earphone jack

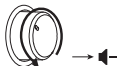
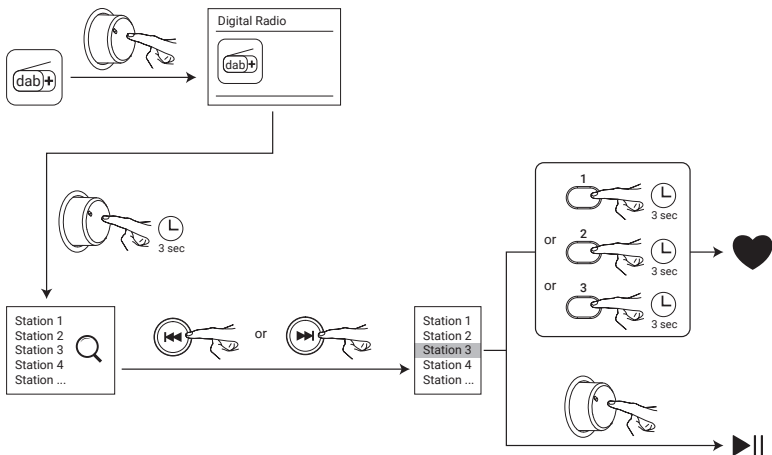
Charging the internal battery



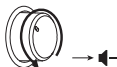
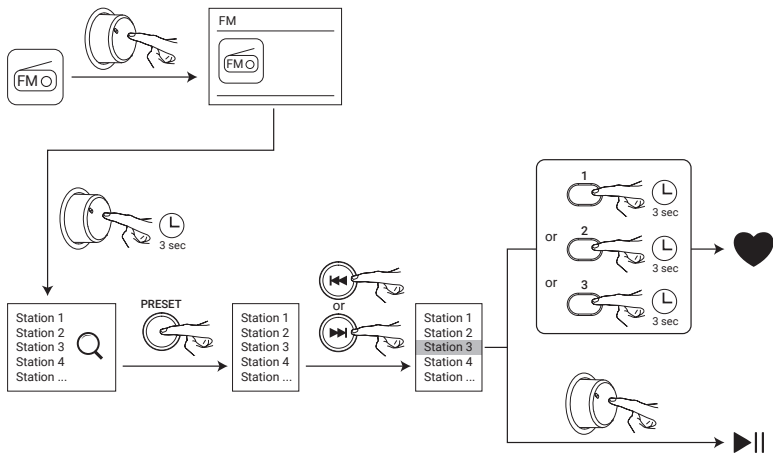
Button functions



DAB Mode

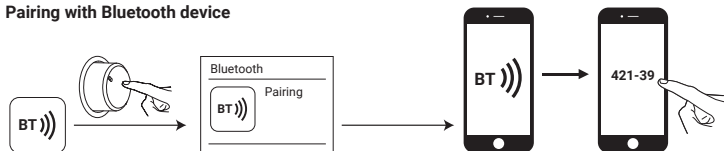


FM Mode

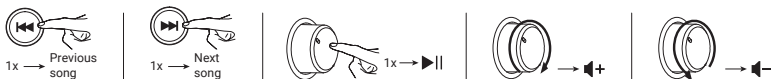


Bluetooth Mode

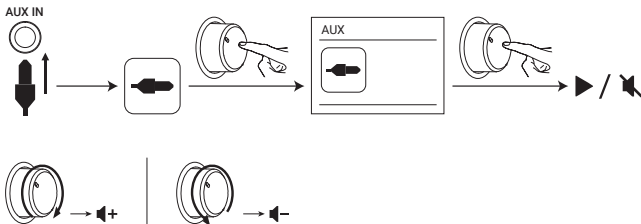
Pairing with Bluetooth device



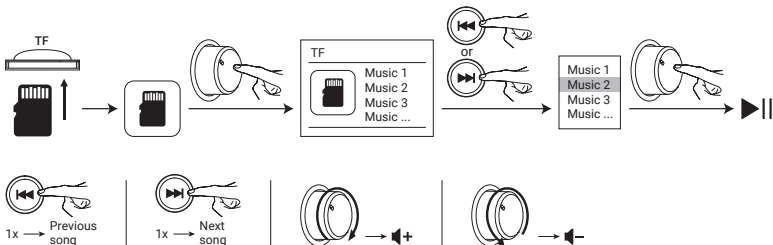
Using



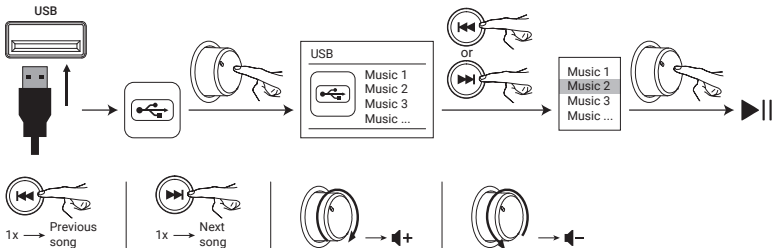
AUX Mode



TF Mode



USB Mode





Declaration of Conformity

Manufacturer: Sandberg A/S
Address: Bregnerødvej 133D, 3460 Birkerød, Denmark
Product description: Audio device radio, Bluetooth speaker & MP3 player.
Product name/Type no: Sandberg Speaker Radio DAB+BT Recharge/ 421-39

We declare under our sole responsibility that the products, to which this declaration relates, are in conformity with the Council Directives on the approximation of the laws of the EEC Member States relating to the following:

Directives

RED Directive 2014/53/EU
RoHS 2.0 Directive 2011/65/EU Annex II (EU) 2015/863 with amendment 2017/2102

And standards

EN 50663:2017
EN 301 489-1 V2.2.3 (2019-11)
ETSI EN 301 489-17 V3.3.1 (2024-09)
EN IEC 62368-1:2024+A11:2024
EN 62321-5:2014
EN 62321-4:2014+A1:2017
EN 62321-7:2015
EN 62321-7-2:2017
EN 62321-6:2015
EN 62321-8:2017
ETSI EN 300 328 V2.2.2 (2019-07)
EN 55032:2015+A11:2020
EN 55035:2017+A11:2020

**CE letter of
conformity**

Date: 12th January 2026

Location: Birkerød, Denmark

Name: Anders Petersen

Signature